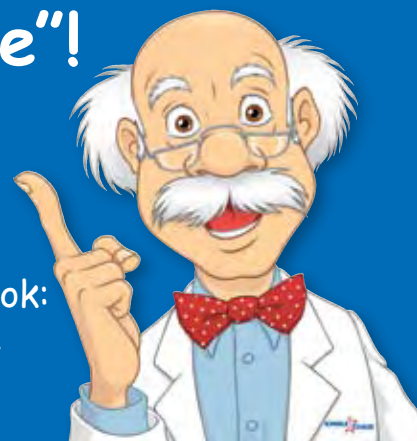


Microscale makes "macro-sense"!

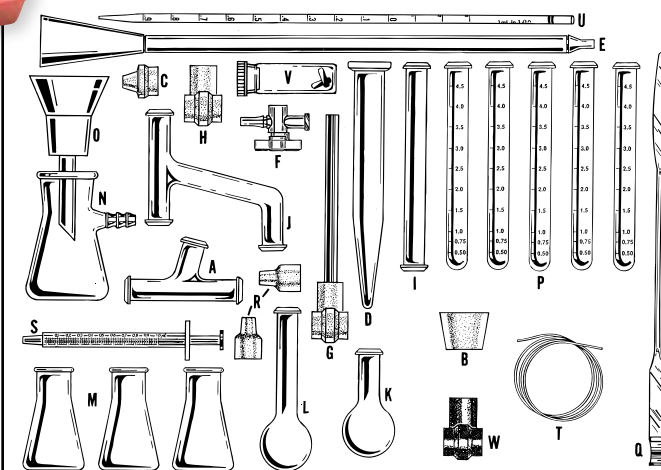
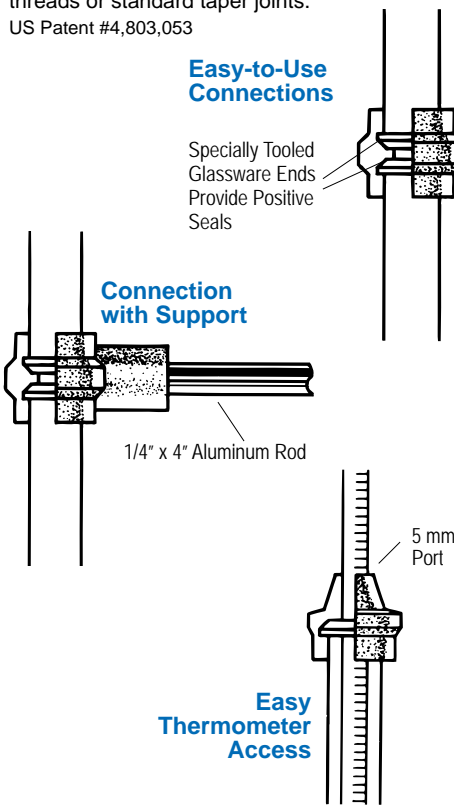
- Easy assembly
- Reduced chemical and disposal costs
- Use with Williamson textbook: "Macroscale and Microscale Organic Experiments"



Kits are packed in a rugged polyethylene storage case (2 1/2" H x 13 1/2" W x 10" D) with a die cut, foam insert. They fit easily into lab bench drawers.

Patented Thermoplastic Connectors

Fast, easy-to-use, positive connections without threads or standard taper joints.
US Patent #4,803,053



**Exclusive to
Kimble Chase!**

Williamson Microscale Kits

All the components necessary to perform the Williamson experiments described in Macroscopic and Microscale Organic Experiments are included.

Williamson Microscale Organic Chemistry Kit

Improved Standard Microscale Kit with Thermoplastic Connectors

These MICROFLEX® Kits feature patented chaste connectors and specially tooled glassware components providing great versatility. If replacement parts are needed, individual components may be ordered separately.

Catalog No.	Description	2012 Price
748100-0000	Williamson Improved Standard Microscale Kit	266.12

Kit Components

Catalog No.	Description	Item	Kit Qty.
748001-1000	Connecting Adapter	A	1
748002-0000	Filter Adapter, Pluro Stopper	B	1
748003-1000	Thermometer Adapter	C	1
411800-1015	Centrifuge Tube, 15 mL	D	1
420166-1001	Chromatography Column, Glass 150 mm w/Disc	E	1
420163-1500	One Way Stopcock, PE/Nylon	F	1
748005-1000	Connector w/Support Rod	G	1
748005-1001	Connector Only	H	1
748006-1100	Distillation Column	I	1
748007-1060	Distillation Head, 60 mm	J	1
748008-1005	Short Neck Flask, 5 mL	K	1
748009-1005	Long Neck Flask, 5 mL	L	1
882300-0010	Erlenmeyer Flask, 10 mL	M	3
748010-1025	Filter Flask, 25 mL	N	1
748012-1000	Hirsch Funnel, with Disc	O	1
748013-1000	Reaction Tube, 10 x 100 mm	P	5
748014-1000	Spatula, S.S.	Q	1
774261-0008	Sleeve Stoppers	R	2
748019-0001	Syringe, Polyethylene	S	1
420823-0116	Tubing, PTFE, 1/16" for 20 gauge needle	T	2
764100-1001	Pipet, 1 mL	U	1
791145-0021	Stir Bars, 4x12 mm, 2 per vial	V	1
748005-1651	Connector Only, Viton®	W	1

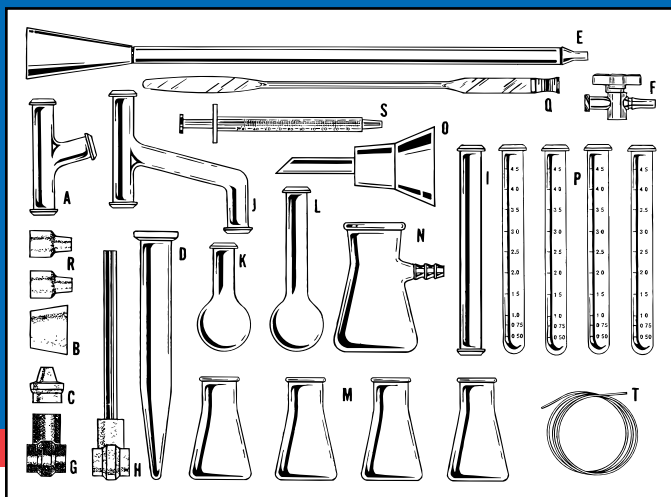
**Limited
Time Offer!**
Purchase Five 748100-0000
Kits and Get an Additional Kit of
the Same Type for FREE.
See details on back.

KIMBLE CHASE

888-546-2531
info@kimble-chase.com
www.kimble-chase.com

For additional kits, see our website:
www.kimble-chase.com

Williamson Standard Kit, 748000-0000

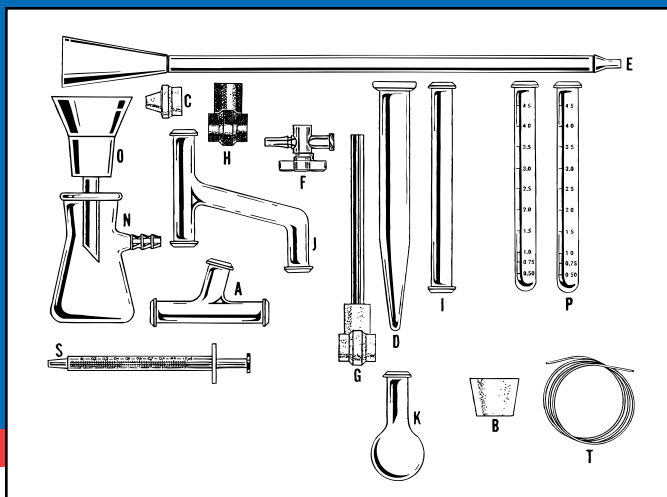


Catalog No.	Description	2012 Price
748000-0000	Williamson Standard Microscale Kit	257.11

Kit Components

Catalog No.	Description	Item	Kit Qty.
748001-1000	Connecting Adapter	A	1
748002-0000	Filter Adapter, Pluro Stopper	B	1
748003-1000	Thermometer Adapter	C	1
411800-1015	Centrifuge Tube, 15 mL	D	1
420166-1001	Chromatography Column, Glass 150 mm w/Disc	E	1
420163-1500	One Way Stopcock, PE/Nylon	F	1
748005-1651	Connector Only, Viton®	G	1
748005-1000	Connector w/Support Rod	H	1
748006-1100	Distillation Column	I	1
748007-1060	Distillation Head, 60 mm	J	1
748008-1005	Short Neck Flask, 5 mL	K	1
748009-1005	Long Neck Flask, 5 mL	L	1
882300-0010	Erlenmeyer Flask, 10 mL	M	4
748010-1025	Filter Flask, 25 mL	N	1
748012-1000	Hirsch Funnel, with Disc	O	1
748013-1000	Reaction Tube, 10 x 100 mm	P	4
748014-1000	Spatula, S.S.	Q	1
774261-0008	Sleeve Stoppers	R	2
748019-0001	Syringe, Polyethylene	S	1
420823-0116	Tubing, PTFE, 1/16" fits 20 gauge needle	T	2

Williamson Intermediate Kit, 748110-0000

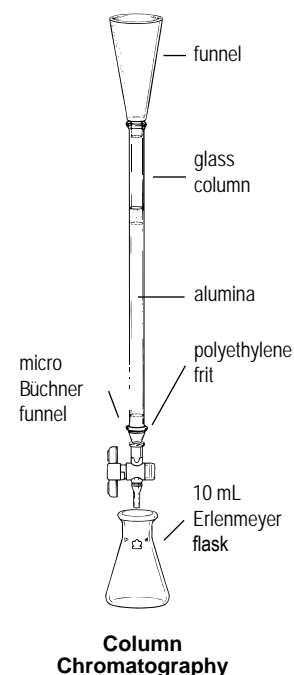
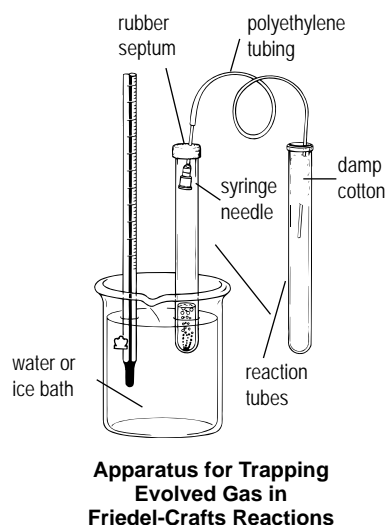
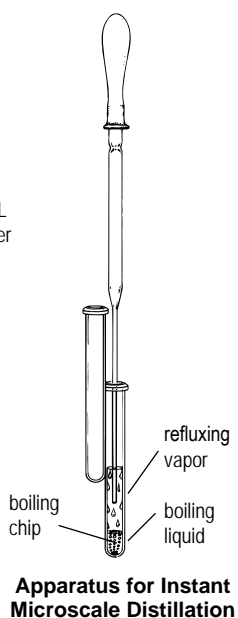
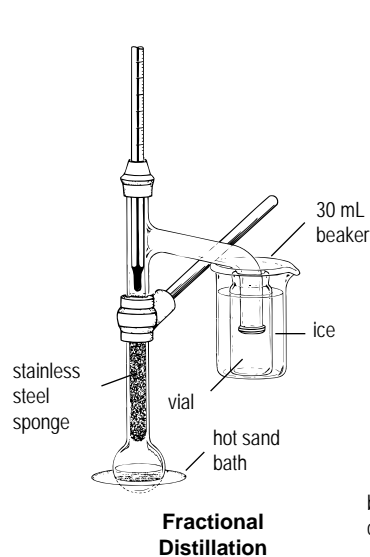


Catalog No.	Description	2012 Price
748110-0000	Williamson Intermediate Microscale Kit	134.95

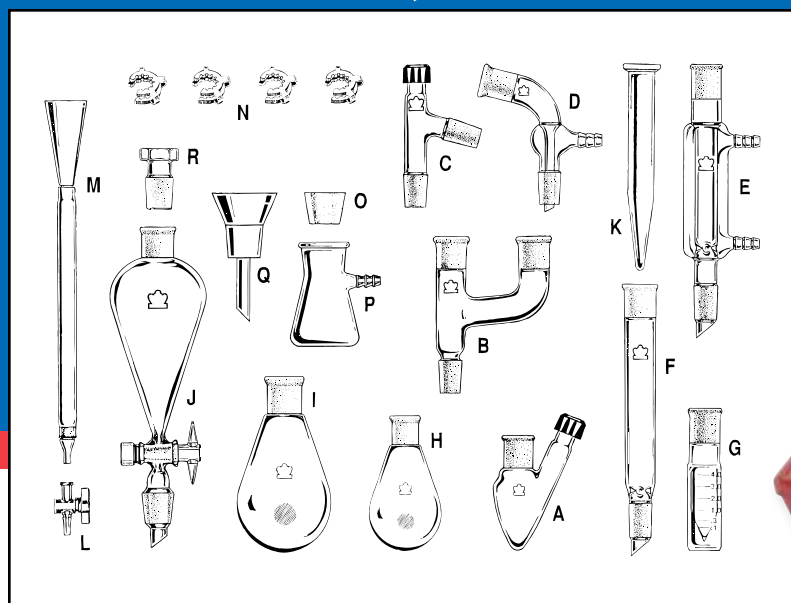
Kit Components

Catalog No.	Description	Item	Kit Qty.
748001-1000	Connecting Adapter	A	1
748002-0000	Filter Adapter, Pluro Stopper	B	1
748003-1000	Thermometer Adapter	C	1
411800-1015	Centrifuge Tube, 15 mL	D	1
420166-1001	Chromatography Column, Glass 150 mm w/Disc	E	1
420163-1500	One Way Stopcock, PE/Nylon	F	1
748005-1000	Connector w/Support Rod	G	1
748005-1651	Connector Only, Viton®	H	1
748006-1100	Distillation Column	I	1
748007-1060	Distillation Head, 60 mm	J	1
748008-1005	Short Neck Flask, 5 mL	K	1
748010-1025	Filter Flask, 25 mL	N	1
748012-1000	Hirsch Funnel, with Disc	O	1
748013-1000	Reaction Tube, 10 x 100 mm	P	2
748019-0001	Syringe, Polyethylene	S	1
420823-0116	Tubing, PTFE, 1/16" fits 20 gauge needle	T	2

Williamson Microscale Set-Ups



Williamson Macroscale Kit, 269330-0000



Ask about . . .
 Custom Printing for your
 university or department.
 888-546-2531
info@kimble-chase.com



Williamson Macroscale Organic Chemistry Kit

KEM-KIT® with $\$$ 14/20 Joints

Designed to address the experiments detailed in the Williamson text *Macroscale and Microscale Organic Experiments*. These experiments can also be performed with the 748000 Series Microscale Kits.

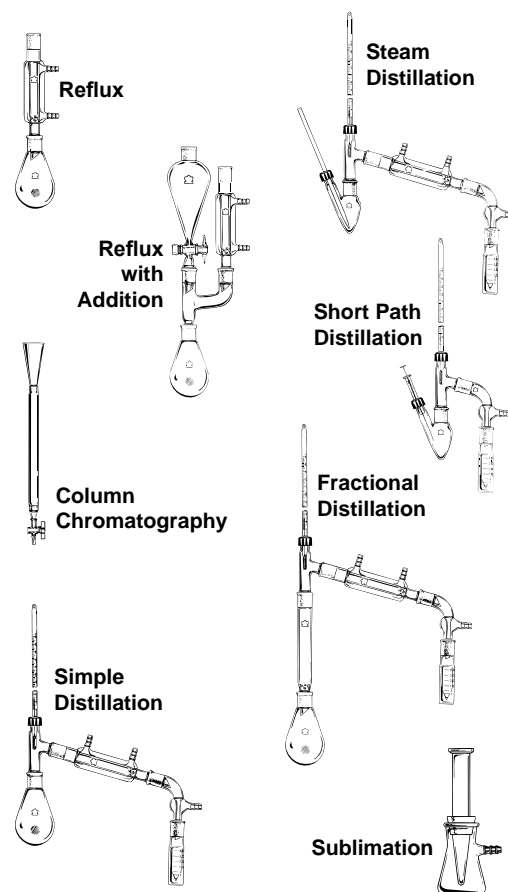
Students use the separatory funnel for extractions and for liquid addition in reaction assemblies. Classical atmospheric, steam, fractional, and vacuum distillations are possible with kit components. Apparatus set-up time is minimal, providing the student with more lab time. Smaller quantities afford a greater degree of safety, improve air quality in the lab, and substantially reduced disposal costs.

Catalog No.	Description	2012 Price
269330-0000	Williamson Organic Chemistry Macroscale Kit	466.29

Kit Components

Catalog No.	Description	Item	Kit Qty.
251450-0015	Conical Flask, 15 mL	A	1
273755-0000	Claisen Adapter	B	1
274960-0000	Connecting Adapter	C	1
276405-0000	Vacuum Adapter	D	1
282555-0000	Water Jacketed Condenser	E	1
286100-0000	Distilling Column	F	1
288260-0001	Distillation Receiver	G	1
294300-0050	Kjeldahl Shaped Flask, 50 mL	H	1
294300-0100	Kjeldahl Shaped Flask, 100 mL	I	1
298281-0125	Separatory Funnel, 125 mL	J	1
411800-0015	Centrifuge Tube	K	1
420163-1500	Stopcock, PE/Nylon	L	1
420166-1001	Chromatography Column	M	1
675300-0014	Polyacetal Clamp, Size 14	N	4
748002-0000	Filter Adapter, Pluro Stopper	O	1
748010-1025	Filter Flask, 25 mL	P	1
748012-1000	Hirsch Funnel	Q	1
850400-1420	Hex Head Stopper, $\$$ 14/20	R	1

Williamson Macroscale Set-Ups



Limited Time Offer!

Here's a great offer but you'll need to act fast!



Purchase Five 748100-0000 Kits and Get an Additional Kit of the Same Type for FREE.

Free Microscale Kit Redemption Coupon

To redeem this offer, please fax a copy of your completed coupon along with proof of purchase (invoice or P.O. dated between 1/1/12 and 12/31/12) to FREE Kimble Chase Microscale Kit at 865-354-3823.

Name: _____ Company: _____
Address: _____
City: _____ State / Province: _____
Postal Code: _____ Country: _____
Email: _____ Phone: _____ Fax: _____

Redemption must be received by 1/15/13. Limited to two redemptions per customer. Please allow 6-8 weeks for delivery. International participant redemptions to be fulfilled by their local office and subject to product substitution and extension of delivery time. Availability for certain products may be limited by federal, state, provincial or local licensing requirements. Offer valid while supplies last. Not valid on prior purchases. Kimble Chase distributors and employees are prohibited from participating. Void in government accounts or where prohibited by law or company policy. Trademarks contained herein are the property of their respective owners.

Printed in USA. Trademarks are the property of their respective owners. Specifications and prices subject to change without notice. Prices shown are US dollars. PDF0412KC-1105R



See our complete line of laboratory glassware on the web:

www.kimble-chase.com
info@kimble-chase.com

Your Source for:

Kimble, Kontes and Chase Brands

Call: 888-546-2531
Fax: 856-794-9762

