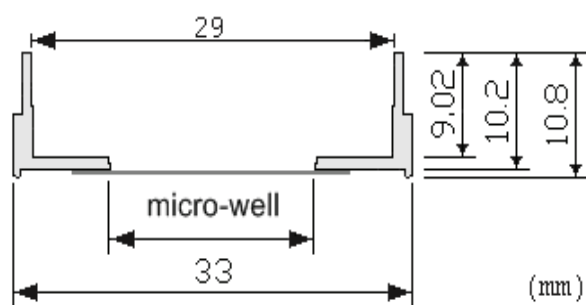




## 29 mm Glass Bottom Dishes by IVS

We found that a small percentage of microscope adapters are too small for our 35 mm glass bottom dishes. 29 mm glass bottom dishes are designed for these adapters. In general 29 mm glass bottom dishes can fit into adapters that 35 mm glass bottom dishes fit. However 29 mm glass bottom dishes are smaller thus are harder to handle.

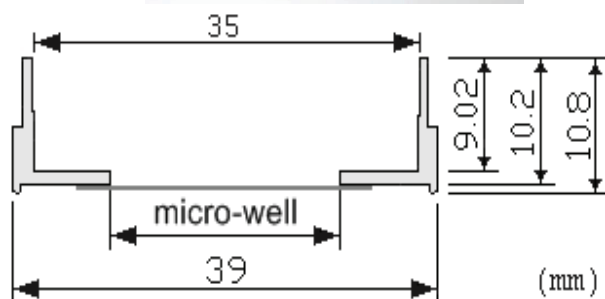


Part No.	De-Groot Purchase #	Micro-well	Glass#
D29-10-0-N	76-D29-10-0-N	10.00mm	# 0
D29-10-1-N	76-D29-10-1-N	10.00mm	# 1
D29-10-1.5-N	76-D29-10-1.5-N	10.00mm	# 1.5
D29-14-0-N	76-D29-14-0-N	14.00mm	# 0
D29-14-1-N	76-D29-14-1-N	14.00mm	# 1
D29-14-1.5-N	76-D29-14-1.5-N	14.00mm	# 1.5
D29-20-0-N	76-D29-20-0-N	20.00mm	# 0
D29-20-1-N	76-D29-20-1-N	20.00mm	# 1
D29-20-1.5-N	76-D29-20-1.5-N	20.00mm	# 1.5



## 35 mm Glass Bottom Dishes by IVS

Our 35 mm glass bottom dishes have the same size as BD's 35 mm culture dishes. They are slightly bigger than the glass bottom dishes by some other vendors (such as Mattek) that are made from Corning's 35 mm culture dishes. They are bigger and sturdier thus are easier to handle.



Part No.	De-Groot Purchase #	Micro-well	Glass #
D35-10-0-N	76-D35-10-0-N	10.00mm	# 0
D35-10-1-N	76-D35-10-1-N	10.00mm	# 1
D3510-1.5-N	76-D35-10-1.5-N	10.00mm	# 1.5
D35-14-0-N	76-D35-14-0-N	14.00mm	# 0
D35-14-1-N	76-D35-14-1-N	14.00mm	# 1
D35-14-1.5-N	76-D35-14-1.5-N	14.00mm	# 1.5
D35-20-0-N	76-D35-20-0-N	20.00mm	# 0
D35-20-1-N	76-D35-20-1-N	20.00mm	# 1
D35-20-1.5-N	76-D35-20-1.5-N	20.00mm	# 1.5



greiner bio-one

## CELLview 35 mm Dish by Greiner Bio-one

The novel CELLview™ glass bottom dish combines the convenience of a standard 35 mm disposable plastic cell culture dish with the optical quality of glass, providing superior high-resolution microscopic images of in-vitro cultures.

The specific design with the embedded glass bottom guarantees a single-plane, flat bottom with a consistent working distance, maximal planarity and optimal thermal conductivity in heated platforms avoiding thermal variations. The CELLview™ dish is also available as a subdivided version with four individual compartments facilitating simultaneous multiplex analysis of different cell lines, various stimulations or diverse transfections, minimizing the amount of required cells and reagents per individual assay.

Features:

- High transparent achromatic borosilicate glass; hydrolytic class 1 (DIN-ISO 719)
- Glass thickness  $175\mu\text{m} \pm 15\mu\text{m}$
- Maximal spectral transmission; no autofluorescence; no depolarisation of light
- Available with specific surface treatments increasing the attachment of adherent cells
- Broad range of multiple microscopic applications

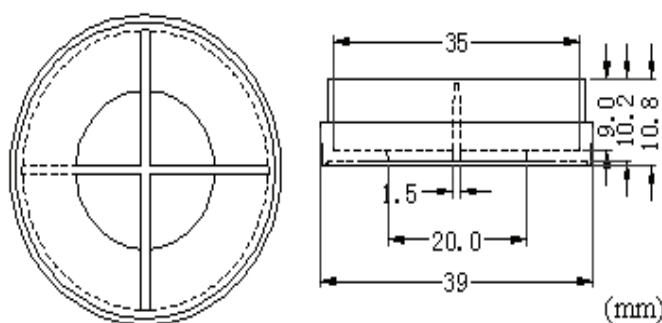


part No .	De-Groot Purchase #	No. of compartments	Surface Treatment
627870	60-627870	4	TC
627975	60-627975	4	Advanced TC
627871	60-627871	4	non treaded
627860	60-627860	1	TC
627965	60-627965	1	Advanced TC
627861	60-627861	1	non treaded



## 4 Chamber Glass Bottom Dishes by IVS

A 4 Chamber 35mm glass bottom dish has the same size as a 35mm glass bottom dish. However the dish is divided into 4 chambers that quadruples sample size.



Cat. No.	De-Groot Purchase #	Glass #
D35C4-20-0-N	76-D35C4-20-0-N	# 0
D35C4-20-1-N	76-D35C4-20-1-N	# 1
D35C4-20-1.5-N	76-D35C4-20-1.5-N	# 1.5

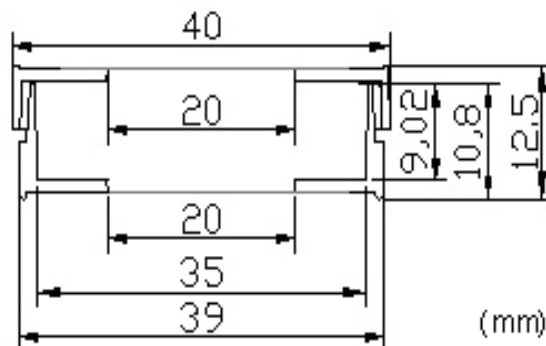


## Glass Top Glass Bottom Dish by IVS

Glass top dishes are like regular glass bottom dishes, except that there is a hole in the lid, the hole is covered with a # 0 cover glass.

It is used for differential interference contrast microscopy, also called Nomarski optics

We found that a small percentage of microscope adapters are too small for our 35 mm glass bottom dishes. Please check carefully the dimension of the dishes in product detail page. If your adapter is too small, you should use our D29-14-0-TOP glass top glass bottom dish instead.

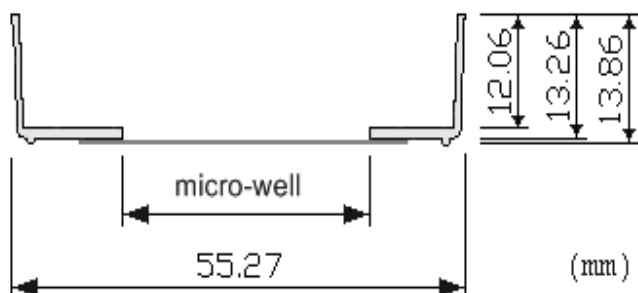
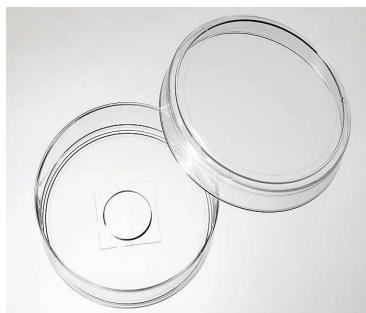


Cat. No.	De-Groot Purchase #	Micro-well	Glass #
D35-20-0-TOP	76-D35-20-0-TOP	20.00 mm	# 0



## 55 mm Glass Bottom Dishes by IVS

55 mm glass bottom dishes allow a flatter angle for injection, and the 30 mm micro-well dishes have a larger cover glass area that allows more cells for sampling.



Cat. No.	De-Groot Purchase #	Micro-well	Glass#
D60-14-0-N	76-D60-14-0-N	14.00mm	# 0
D60-14-1-N	76-D60-14-1-N	14.00mm	# 1
D60-14-1.5-N	76-D60-14-1.5-N	14.00mm	# 1.5
D60-30-0-N	76-D60-30-0-N	30.00mm	# 0
D60-30-1-N	76-D60-30-N	30.00mm	# 1
D60-30-1.5-N	76-D60-30-1.5-N	30.00mm	# 1.5